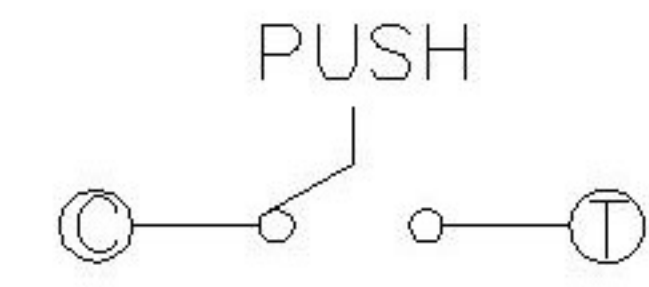


TER	ANG	0° (▨=NO)	
		(20°)	(15°)
①		▨	
②			▨
③		▨	▨

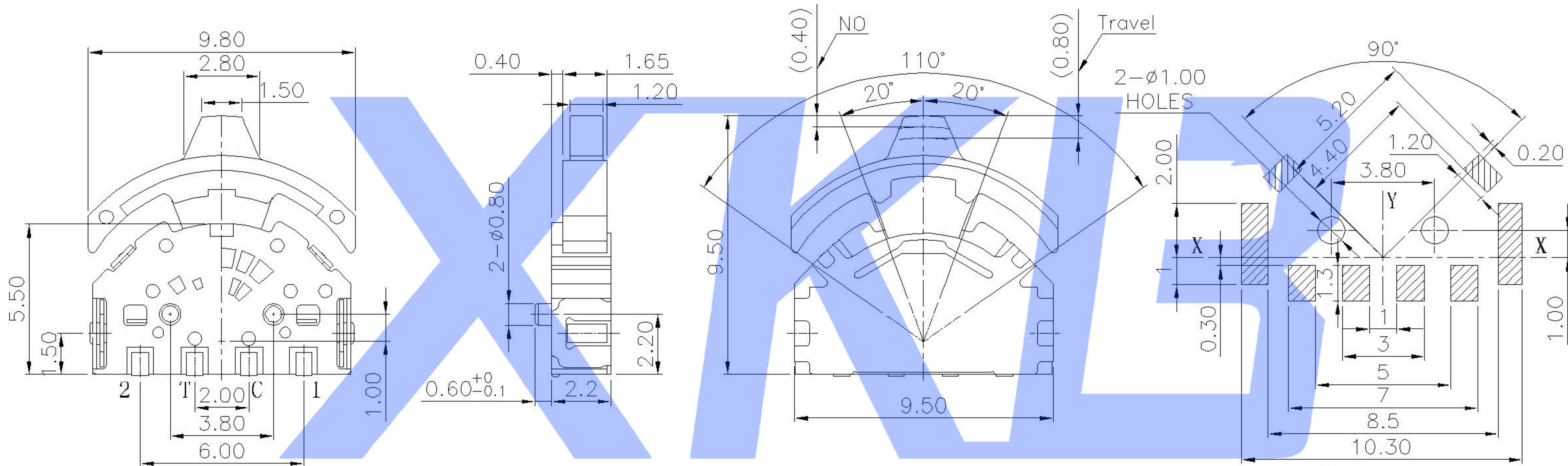
CCW ← → CW

CODE TABLE

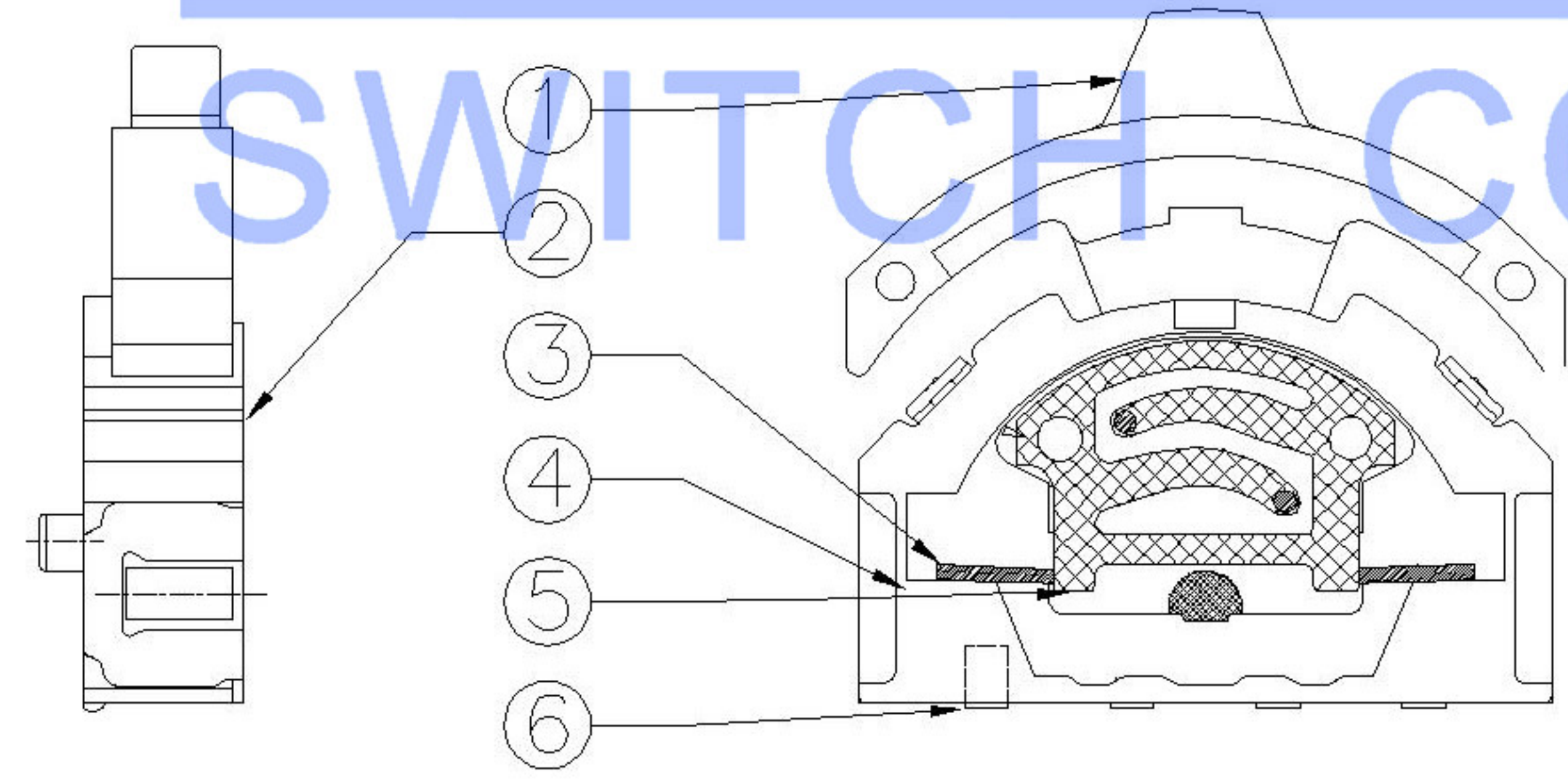


Circuit Diagram

NOTE:
Operating Force:
lever portion 100 ± 30 gf
Push portion 250 ± 50 gf



P.C.B Mounting Pattern Dimension



ITEM	PART NAME	TER'NO.	QTY.	MATERIAL	FINISHING	REMARK
⑥	Contact	—	1	F.Ag/Brass	—	—
⑤	Terminal	—	4	Brass(0.15t)	Plating silver	—
④	Base	—	1	Nylon	Black	—
③	Spring	—	1	SUS	—	—
②	Cover	—	1	SUS	White	—
①	Keystoke	—	1	Nylon	Black	—

REVISIONS					UNSPECIFIED TOLERANCES	DSND	DATE	SCALE: N/A	MODEL TYPE: MULTIFUNCTIONAL SWITCHES				
ΔX					ANGULAR			VIEW:	PART NO.:				
ΔX					L ≤ 4			UNIT: mm	DWG NO.: TM-2023				
ΔX					4 < L ≤ 16			SIZE: A4	WEIGHT				
MARK	DESCRIPTION	DATE	REVISED	APPROVED	16 < L ≤ 63				SHEET				
					L > 63				REVISION				
								KXB INDUSTRIAL PRECISION CO.,LIMITED			1.0g	1/1	A0